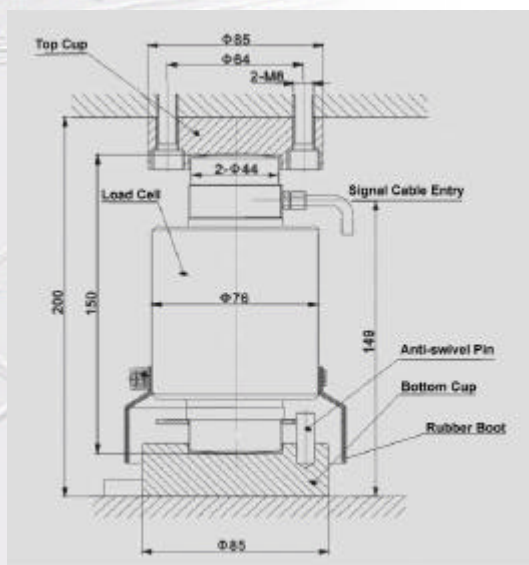


Canister Type Analogue Load Cell

**Griffith
Elder**



Griffith Elder and Company Ltd
1 Oaklands Park
Bury St Edmunds
Suffolk
IP33 2RW
United Kingdom

Telephone: +44 1284 763616
Fax: +44 1284 700822
Email: sales@griffith-elder.com
Internet: www.griffith-elder.com

Material	Carbon Alloy Steel
Model: CT-15T-CA	Capacity 15,000 kg
Model: CT-20T-CA	Capacity 20,000 kg
Model: CT-30T-CA	Capacity 30,000 kg
Model: CT-50T-CA	Capacity 50,000 kg

Material	Stainless Steel 17-4 PH
Model: CT-15T-SA	Capacity 15,000 kg
Model: CT-20T-SA	Capacity 20,000 kg
Model: CT-30T-SA	Capacity 30,000 kg

Temperature Range	-40 to +70°C
Safe Overload	150%
Maximum Overload	200%
Cable	10 metres screened
Ingress Protection	Sealed to IP68
Excitation	Analogue
	Recommended 5V to 12V dc
	Maximum 15V
Output at rated load	2 mV/V ± 0.1%